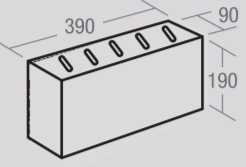
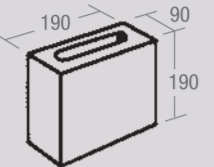
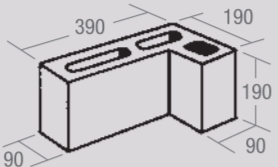
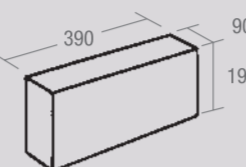
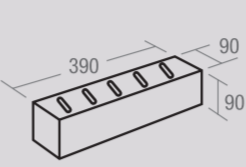
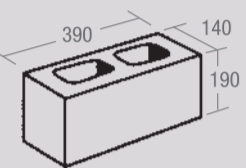
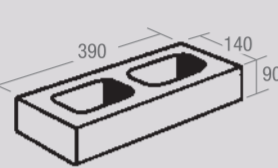
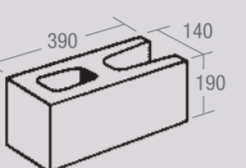
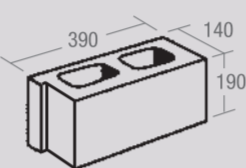
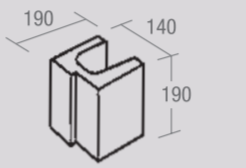
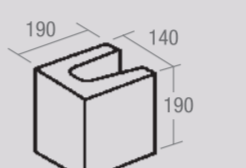
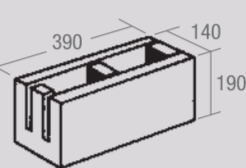
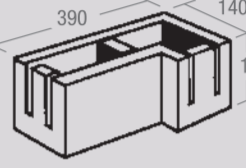
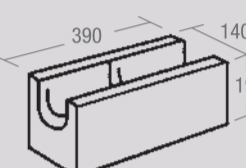


10 SERIES

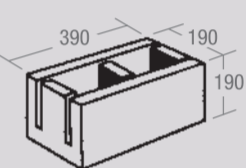
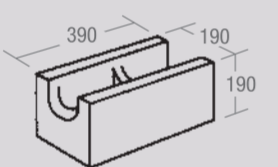
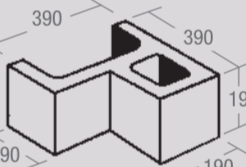
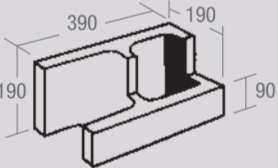
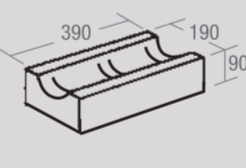
				
10.01 Standard 150 per pallet	10.02 Standard Half 300 per pallet	10.03 Return Corner 144 per pallet	10.17 Solid Block 120 per pallet	H10.01 Standard Half High 300 per pallet



15 SERIES

								
15.04 Plain End 120 per pallet	H15.04 Standard Half High 240 per pallet	15.05 Open End 120 per pallet	15.09 Rebate 120 per pallet	15.11 Rebate Lintel 200 per pallet	15.12 Half Lintel 240 per pallet	15.14 Knock Out Bond Beam 120 per pallet	15.15 Corner Bond Beam Left or Right 102 per pallet	15.16 Open End Bond Beam 120 per pallet

20 SERIES

							
20.02 Plain Half 180 per pallet	20.04 Flush Ends 90 per pallet	20.05 Open End 90 per pallet	20.08 Sill 150 per pallet	20.09 Rebate 90 per pallet	20.11 Rebate Half Lintel 195 per pallet	20.12 Plain Half Lintel 234 per pallet	20.14 Knock Out Bond Beam 90 per pallet
							
20.15 Corner Bond Beam 90 per pallet	20.16 Open End Bond Beam 90 per pallet	20.16H Open Both End Bond Beam 90 per pallet	20.19 Three Quarter 100 per pallet	20.30 Pier 90 per pallet	20.33 Pier 50 per pallet	20.34 C - Type Pilaster 100 per pallet	20.35 H - Type Pilaster 50 per pallet
							
20.44 Half Knock Out Bond Beam 180 per pallet	20.45 Header 120 per pallet	H20.04 Standard Half High 180 per pallet	H20.14 Half High Bond Beam 180 per pallet	517 Capping Block 300 per pallet			



USEFUL ESTIMATING DATA FOR BOWERS HOLLOW MASONRY

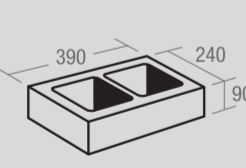
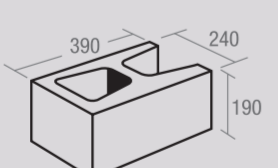
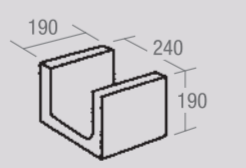
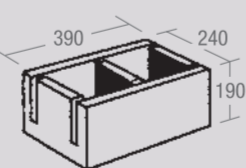
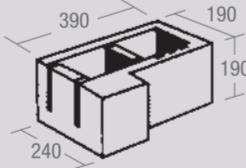
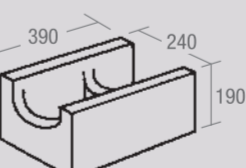
Blockfill Volume

15 Series = 165 blocks/m³
20 Series = 125 blocks/m³
25 Series = 85 blocks/m³

Units per square metre

15 Series = 12.5 units
20 Series = 12.5 units
25 Series = 12.5 units
Half High 15 Series = 25 units
Half High 20 Series = 25 units
Half High 25 Series = 25 units

25 SERIES

					
H25.04 Standard Half High 156 per pallet	25.05 Plain End 78 per pallet	25.12 Lintel 192 per pallet	25.14 Knock Out Bond Beam 78 per pallet	25.15 Corner Bond Beam Left or Right 78 per pallet	25.16 Open End Bond Beam 78 per pallet

NOTE

Other Block types may be available as a 'Made to Order' product.

Colour and Texture may vary between block types.

Concrete products may display 'efflorescence' (whitening) which is a natural occurrence. We have taken all possible steps to minimise this from occurring in our products.

20 SERIES COLOURED MASONRY


2014u Universal Bond Beam 90 per pallet



Midnight



Midnight Oxide
Mortar Drop Packs



Drop Pack



Visit our website
www.bowersbrothers.co.nz